

Upgrade Instructions

Upgrading from auxiliary heater to
additional heater with engine preheating

Audi Q7

Diesel
from Model Year 2006



WARNING!

Hazard warning:

Incorrect installation or repair of Webasto heating systems may cause a fire or result in the emission of carbon monoxide, which can be fatal. Serious or fatal injuries can be caused as a result.

Specialist company training, technical documentation, specialized tools and equipment are required to install and repair Webasto heating and cooling systems.

NEVER attempt to install or repair Webasto heating or cooling systems if you have not successfully completed the company training and thereby acquired the required technical skills, or if you do not have access to the required technical documentation, tools and equipment needed to carry out correct installation and repairs.

ALWAYS follow all Webasto installation and repair instructions and observe all warnings.

Webasto does not accept any liability for defects and damage that are attributable to installation by untrained staff.

Table of Contents

Validity	2
Heater Unit/Installation Kit	3
Foreword	3
General Instructions	3
Explanatory Notes on Document	4
Preliminary Work	5
Electrical Connections	6
Final Work	9

Validity

Manufacturer	Model	Type	EG-BE No./ABE
Audi	Q7	4LB	e1 * 2001/116 * 0350

Engine type	Engine model	Output in kW	Displacement in cm ³
BUG	Diesel	171	2967

Vehicle and engine types, equipment variants and national specifications not listed in these installation instructions have not been tested. However, installation according to these installation instructions may be possible.

Heater Unit/Installation Kit

Quantity	Description	Order No.:
1	Upgrade kit for Audi Q7 Diesel T91	9014397C

Also required:

Quantity	Description	Audi Order No.:
4	Bolt	N 909 803 04

Foreword

These upgrading instructions apply to Audi Q7 Diesel vehicles - for validity, see page 2 - from model year 2006 and later, assuming technical modifications to the vehicle do not affect installation, any liability claims excluded. Depending on the vehicle version and equipment, modifications may be necessary during installation with respect to these installation instructions.

However, where this is the case the stipulations in the "installation instructions" and "operating and maintenance instructions" for the installed heater unit should be observed.

The corresponding rules of technology and any information from the vehicle manufacturer should be observed during the installation work.

General Instructions

Installation should be carried out according to the general, standard rules of technology. Unless specified otherwise, fasten hoses, lines and wiring harnesses to original vehicle lines and wiring harnesses using cable ties.

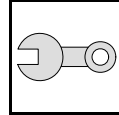
Sharp edges should be fitted with edge protectors (split-open plastic hose).

Spray unfinished body areas, e.g. drilled holes, with anti-corrosion wax (Tectyl 100K, Order No. 111329).

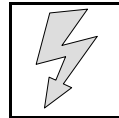
Explanatory Notes on Document

To provide you with a quick overview of the individual working steps, you will find an identification mark on the outside top right corner of the page in question.

Mechanical system



Electrical system



Special features are highlighted using the following symbols:



Specific risk of injury or fatal accidents.



Specific risk of damage to components.



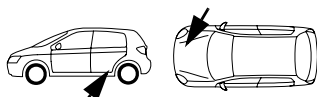
Specific risk of fire or explosion.



Reference to general installation instructions of Webasto components or to the manufacturer's vehicle-specific documents.



Reference to a special technical feature.



The arrow in the vehicle icon indicates the position on the vehicle and the viewing angle.

Preliminary Work

WARNING!

**Make sure the auxiliary heater is fully operation before beginning work.
Check whether the auxiliary heater (auxiliary heater) is set to -AUTO- (see vehicle logbook in the chapter -hot and cold-).**

- Remove the left front wheel
- Remove the left front wheel-well inner panel
- Take off the cover plate over the heater unit and remove any screw remainders
- Remove the left fuse cover on the instrument panel
- Remove the upper fuse carrier
- Remove the trim of the pedals in the lower footwell
- Remove the leaf protection screen in the engine compartment from the relay box (below the wiper on the driver's side)

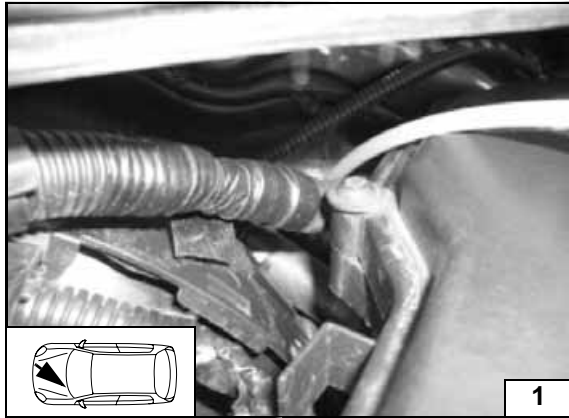




Electrical Connections

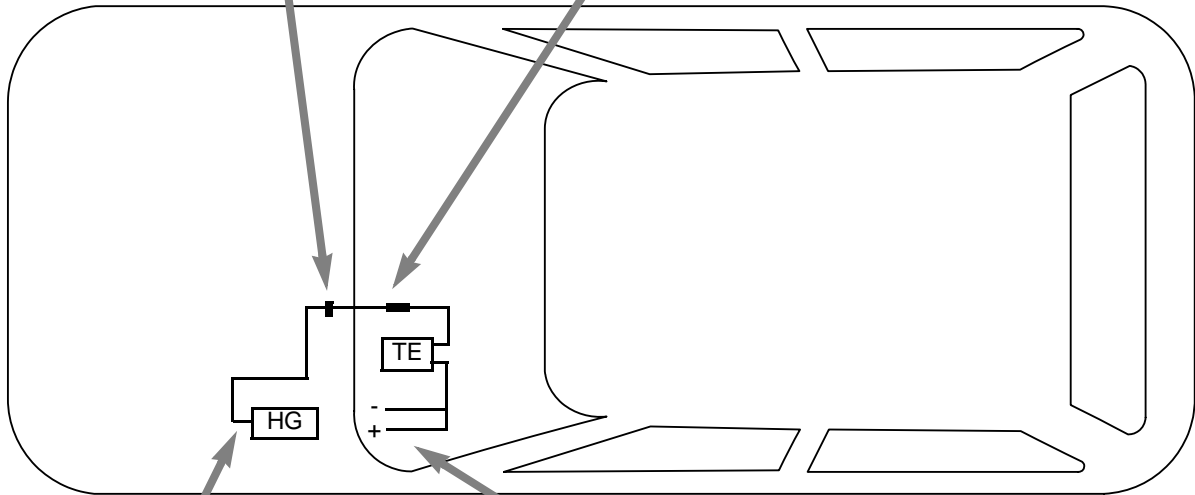
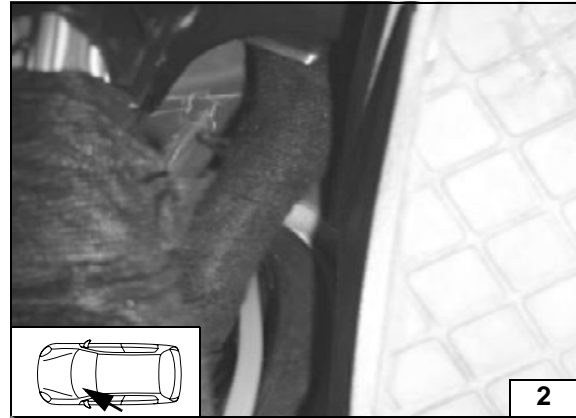
Wiring harness pass through

View from engine compartment

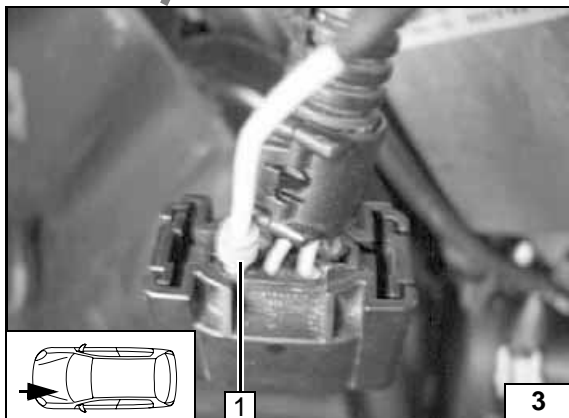


Wiring harness pass through

View from passenger compartment

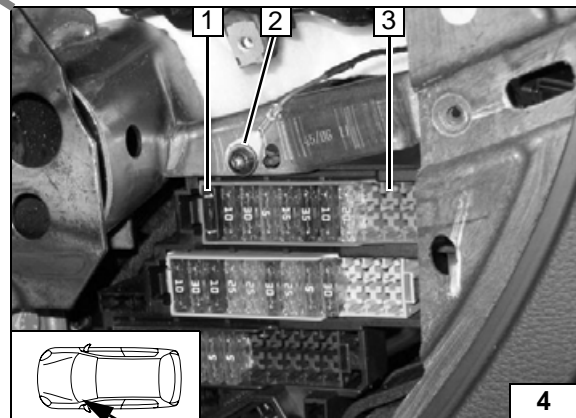


Wiring harness installation diagram



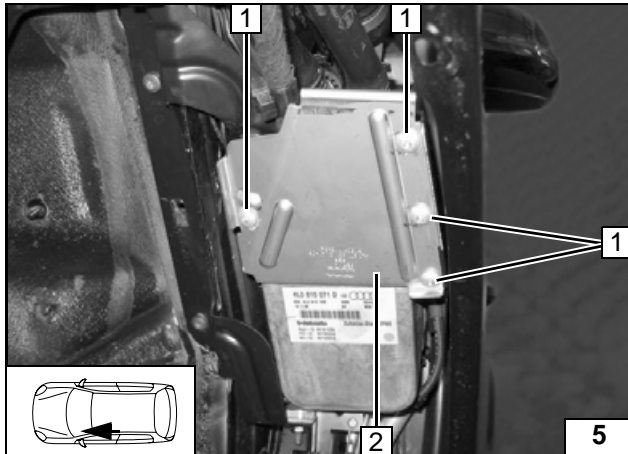
Connecting heater unit

1 PIN 1, connector of heater unit



Connecting fuse carrier

- 1 1 A fuse, terminal 30
- 2 Original vehicle bolt and ground connection for Teleststart KS4
- 3 Upper fuse carrier

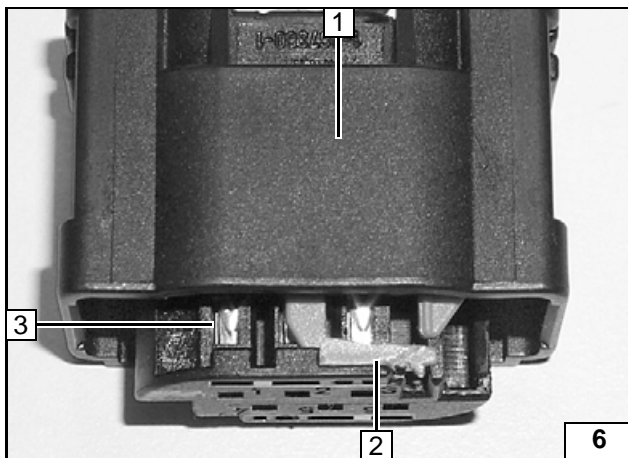


Drill out bolt heads **1** [4x] and remove threaded pieces.

2 Cover plate



Removing cover plate

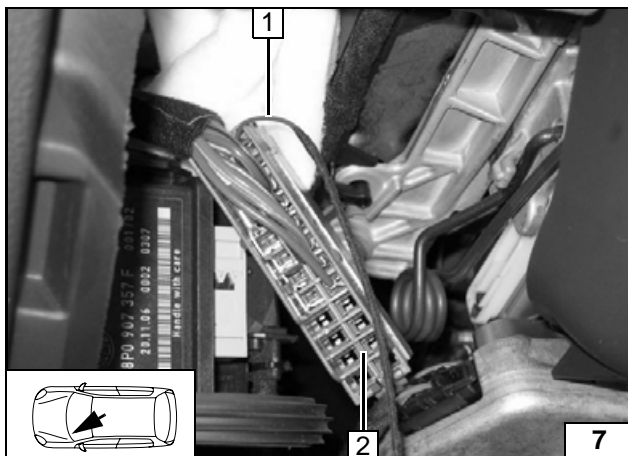


Disconnect 6-pin connector X14 (**1**) from heater unit. Engage yellow (ge) cable from wiring harness 1 (KS1) in socket of Pin 1 of connector X14 (**1**) on heater unit. Route wiring harness 1 (KS1) into passenger compartment and connect to wiring harness 2 (KS2) in accordance with wiring diagram.

2 Locking device, slide to right
3 Socket, Pin 1



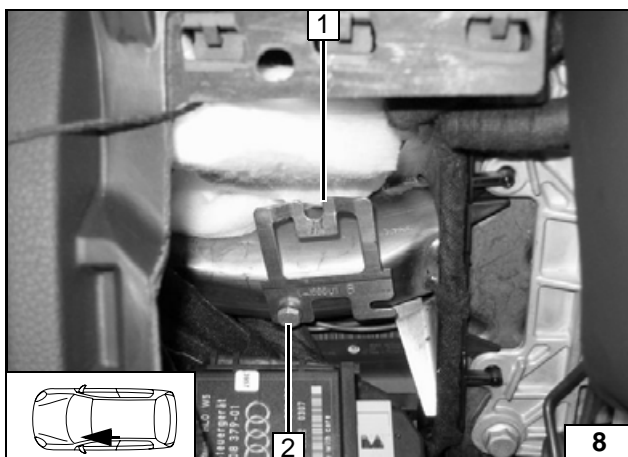
Connecting KS1 and KS2



Unlock lock of fuse carrier **2**. Engage KS3 **1** on terminal 30 in fuse carrier.

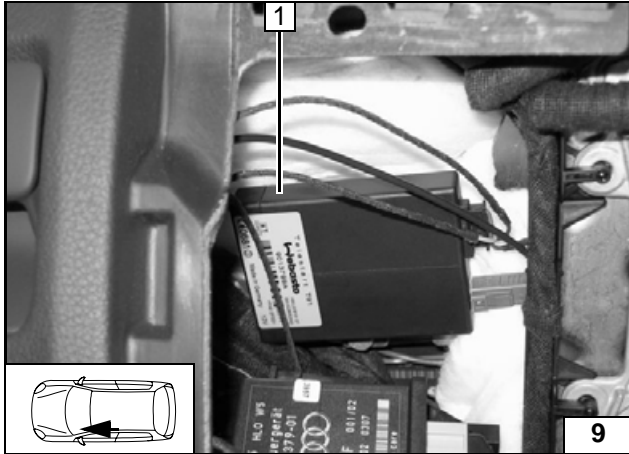


Connecting KS3



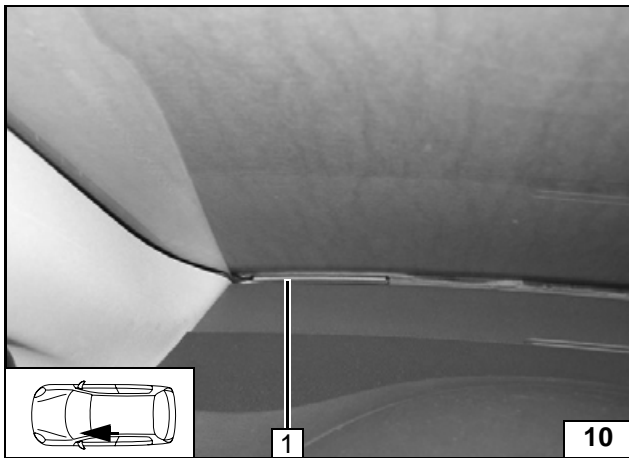
1 Telestart bracket
2 M6x12 bolt, spring lockwasher, original vehicle thread

Installing Telestart



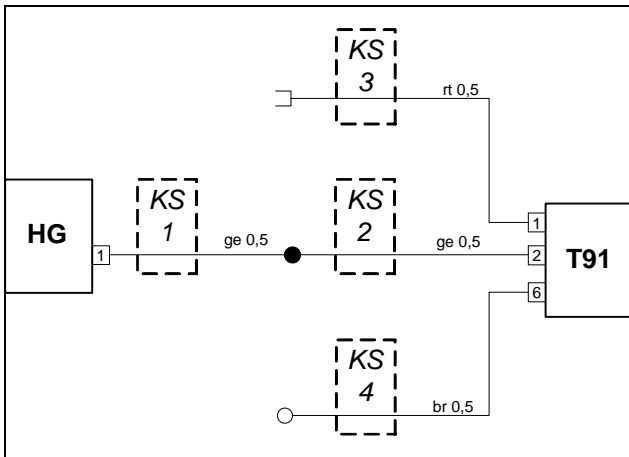
1 Push Telestart onto bracket

Installing Telestart



1 Telestart antenna

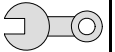
Installing antenna



Legend:

- HG** Heater unit
- T91** Telestart receiver
- KS** Wiring harness
- rt** red
- br** brown
- ge** yellow

Wiring diagram



Final Work

WARNING!

- Reassemble the disassembled components in reverse order
- Observe tightening torque of bolts on front wheel
- Fasten cover plate with genuine Audi bolts (N 909 803 04)
- Check all electrical connections for firm seating
- Secure all loose cables using cable ties
- Teach Telestart in accordance with general operating instructions

Remove the vehicle-specific operating instructions from the installation kit provided and hand them over to the end customer!



Webasto AG
Postfach 80 - 82132 Stockdorf
Hotline 01805 / 932278 - Hotfax 0395 / 5592-353
<http://www.webasto.de>